

Air Purifier KJ300G-A01

User Manual



Contents

1 specifications.....	2
Safety information	2
2 You air purifier.....	3
Know your air purifier.....	3
controls.....	3
3 Use manual	4
Air quality indicator lamp	4
Filter installing	4
Connect power supply	4
Turn on/Turn off	4
Change mode	4
4 Care	5
Clean plan	5
Clean air quality sensor	5
Clean filter	5
5 Replacement filter	6
Change filter.....	6
Reset filter indicator	6
6 Storage	6
7 Troubleshooting	7
8 Warranty information.....	8
Purchase components	8
9 statement	8
EMF	8
Recovery	8
10 Rating	8

THIS PRODUCT IS SUITABLE FOR CHILDREN OF 8 YEARS AND OLDER AND PEOPLE WITH UNSOUND LIMBS, SENSORY OR MENTAL DISORDERS OR LACK OF RELEVANT EXPERIENCE AND KNOWLEDGE, PROVIDED THAT SOMEONE SUPERVISES OR GUIDES THEIR USE TO ENSURE THEIR SAFE USE AND LET THEM UNDERSTAND THE RELEVANT HAZARDS.CHILDREN ARE NOT ALLOWED TO PLAY WITH THIS PRODUCT.DO NOT ALLOW CHILDREN TO CLEAN AND MAINTAIN THEIR PRODUCTS UNSUPERVISED.

Safety information

Before using this product, please read this user manual carefully and keep it properly for future reference.

Danger

Do not clean the product with water or any other liquid or (flammable) cleaner to avoid electric shock or fire.

Do not spray around the product Sprinkle on any combustible material such as insecticide or perfume.

Warn

Before connecting the product to the power supply, please check whether the standard voltage matches the local supply voltage.

If the power cord is damaged, it must be replaced by an authorized service center or similar staff.

Do not use the product if the adapter, power cord, or the product itself is damaged.

Use only the approved 2-pin plug adapter attached with the product.

Do not plug the air inlet and air outlet.

Do not place any items on the top of the air outlet or in front of the air inlet.

Make sure that the foreign body does not enter the product through the air outlet.

This product cannot replace normal ventilation, daily vacuum or range hood used in cooking.

Be sure to place and use this product on a dry, firm, flat, and horizontal surface.

At least 20 cm of space is left around the product, and at least 30 cm above the product.

Warn

Do not sit or stand on the product.

Do not place any items on this product.

Do not place the product directly under the air conditioner to prevent the condensation of water droplets into the product.

Only use the original filter screen specially designed for this product. Do not use any other filters.

Burning filters can cause irreversible human harm or endanger the lives of others. Do not use the filter as fuel or similar use.

Do not hit this product with hard objects (especially the air inlet and air outlet).

Do not insert your fingers or object into the air outlet or air inlet to prevent physical damage or failure of the product.

Do not use this product when you use indoor spray insect repellent or in places filled with oil, flammable gas, or chemical fumes.

Do not use this product near gas appliances, heating or furnace.

When you want to move or clean the product or replace the filter or perform other maintenance, be sure to turn off the air purifier before removing the adapter from the power outlet.

This product is limited to home use and used under normal operating conditions.

Do not use this product in wet or high temperatures (e. g. bathroom, bathroom or kitchen) or in rooms with high temperature changes.

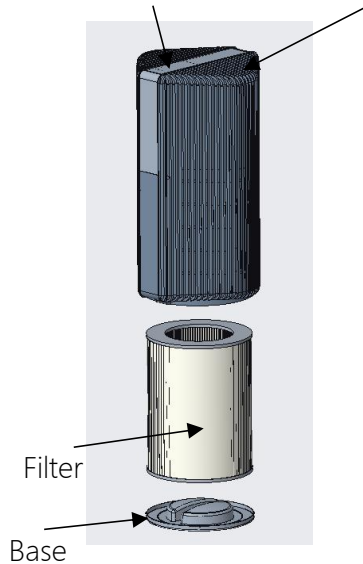
This product does not remove carbon monoxide (CO) or radon (Rn). Therefore, in the event of combustion and hazardous chemical accidents, it cannot be used as a safety equipment

2 .You air purifier

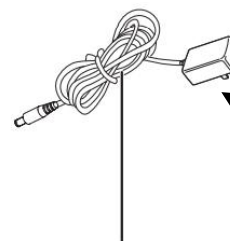
Thank you for purchasing our air Purifier

Product overview

Control manual

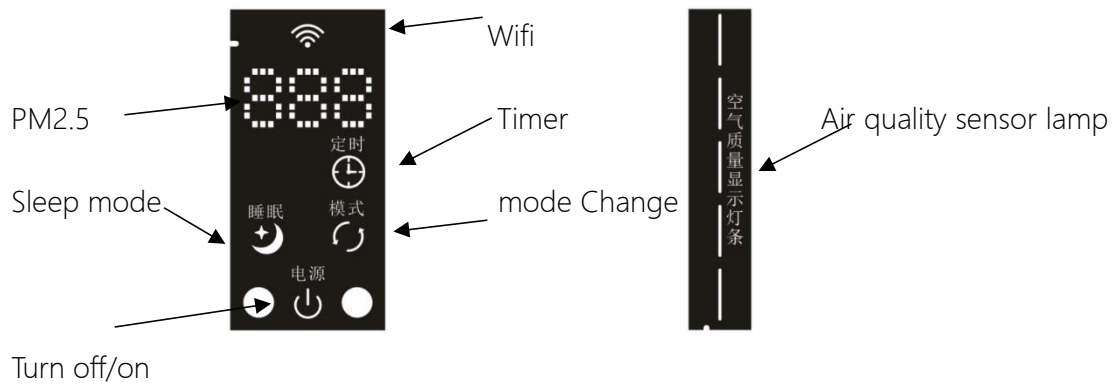


Air quality sensor



needle plug adaptor

Control overview



How the air quality sensor lamp shows.

Different lamp color corresponds to different air quality.

PM2.5 level/lamp color/air quality level

PM0-50, Blue light

PM51-100, green light

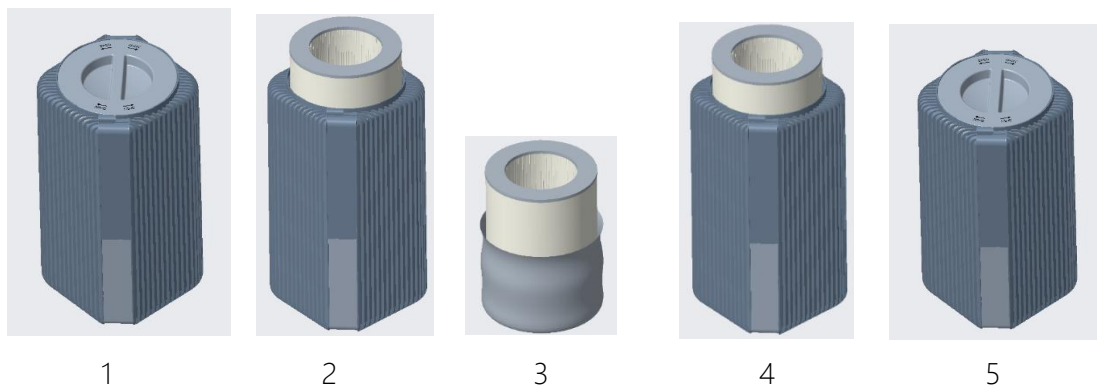
PM101-160, purple light

PM161-499, red color

3. User Manual

Install filter

Remove all of the packaging before using the filter. Note: Make sure to unplug the air purifier before installing the filter.



1. Counterclockwise rotate the base to open it.
2. Take out the filter
3. Remove all the filter package.
4. Put back the filter to air purifier.
5. Put back the filter and clockwise rotate the base to close it.

4. Connect power supply

Note: Risk of electric shock exists when you unplug the AC power cord, must remove the plug from power socket. Do not pull the power plug.

. First connect the adapter to the power jack of air purifier

. Then connect to the power outlet

Turns the air purifier on/off

Note: Do not open the window when you use it.


1 Press the power button to turn it on. By default, it will run in second-gear mode.

2. Press the power button again to turn off the air purifier.

Change mode setting



Press  button, you can choose first gear mode, second gear mode, third gear

mode, rated mode, Auto mode. It will show on the screen .

First gear mode-1

Second gear mode-2

Third gear mode-3

Rated mode-t

Auto mode-A

Auto mode

Air purifier will change the fan speed according to the air quality by itself.

Rated mode

Air purifier will work in the fastest speed.

Sleep mode

Air purifier operates quietly by using the lowest possible fan speed, and turn off all the screen light.

Timer



Press , you can set a timer for one to 9 hours

4.Care

Note:Do not clean with abrasive chemicals or flammable cleaning agents..

Clean plan

	Clean method
If necessarily	Wipe the outside of the air purifier with a soft ,dry cloth.
	Wipe the both air intake board
Two months	Clean the air quality sensor with a dry cotton swab
Four weeks	Clean the outside of filter

Clean the air quality sensor

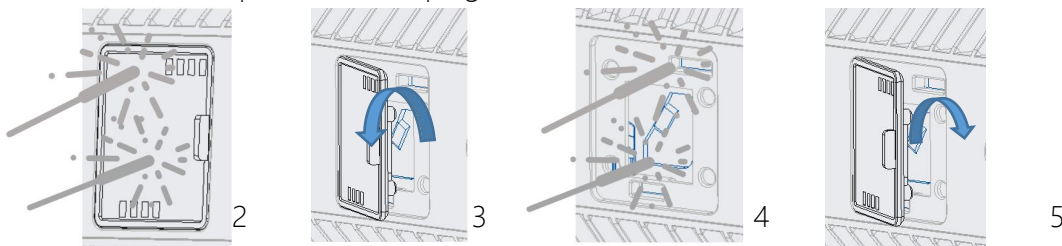
The air quality sensor should be cleaned each two months to make sure it always works in perfect situation.

Note:

If air purifier is used in dusty environments, they may need to be cleaned more frequently.

If the indoor humidity is high, condensate may cover the air quality sensor, which may reflect with poor air quality result even if the air quality is really good. If this happens, please clean the air quality sensor or set the fan speed by manual

1 .Turn off the air purifier and unplug.



2 Clean the intake and out take with soft brush

3 Open air quality sensor protect door

4 Use wet cotton swab to clean the air quality sensor,and then use dry cotton it again.

5 Close the protect door.

Clean filter

Use soft wet cloth to clean outside of filter to use vacuum to clean it.

Note:

Using high-power / industrial vacuum cleans the filters may cause the damages

5. Replacement filter

The sleep mode light and mode change light will both shining when the filter need to replace.

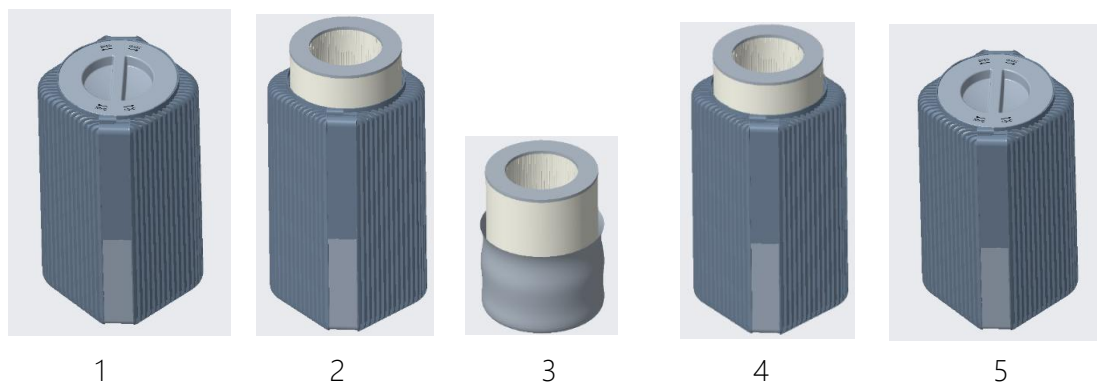
Note:

The filter screen is not washable or reused.

Always turn off the air purifier and unplug it before replacing the filter

OPEN ↔ CLOSE

OPEN ↔ CLOSE



1. Counterclockwise rotate the base to open it.

2 replace the old one with new filter

3. clockwise rotate the base to close it.

4. Plug the air purifier and turn on it.

5 Press the sleep mode button and mode change button together for three second, the machine will reset the filter indicator.

6. Storage

If not using the air purifier for an extended period of time, wrap both the air purifier and the filter in plastic packaging and store in a dry place to avoid moisture damage.

7. TROUBLESHOOTING

Problem	Possible solution
The product can't working even it is powered on.	<ul style="list-style-type: none">The filter indicator is on, but you didn't replace the filter. The product will be locked. In this case, please replace the new filter and reset the filter indicator.
Airflow is	<ul style="list-style-type: none">The filter surface becomes dirty, Clean the filter or replace a new

significantly reduced	one.
Poor air purification quality	<ul style="list-style-type: none"> • Make sure the filter is removed from its packaging and properly in place. • Make sure filter is assembled correctly. • Please clean the air quality sensor. • Make sure all the doors and windows are closed. • Please replace the new filter
Strange smell coming from the purifier.	<ul style="list-style-type: none"> • clean the filter or replace if necessary •Contact customer support •Make sure not to use your air purifier in an area with high humidity or while diffusing essential oils.
Air purifier makes an unusual noise while the fan is on.	<ul style="list-style-type: none"> • Make sure the filter is properly in place with plastic packaging removed. • The air purifier may be damaged, or foreign object may be inside. Stop using the air purifier and contact customer support. Do not try repair the air purifier.
The air purifier is still warning to change a new filter after replaced a new one.	<ul style="list-style-type: none"> •Please reset the filter indicator.
Air purifier is turned off, but the air quality sensor is still working.	<ul style="list-style-type: none"> •Please contact with customer support to replace the air quality sensor.

8.Warranty information

If you need information or have any questions, Please contact local customer support or ask your local dealer.

Order components

If you need to purchase additional parts, Please contact your local dealer, or contact the customer support in your country

9.Statement

EMF

This product complies with all applicable standards and regulations concerning exposure to electromagnetic fields

Recovery

When abandoning the air purifier, please do not discard it together with the general household waste, you should give it to the officially designated recycling center.

10.Rating

Product name: Air Purifier

Model:KL300G-A01

Voltage: 100-240V, 50/60Hz

Power: 23W

Produce date

Ningbo Kinglong electric appliance co.,ltd

Address:No.111th,Yeao road east,yuyao city

Tel:0574-62646979

